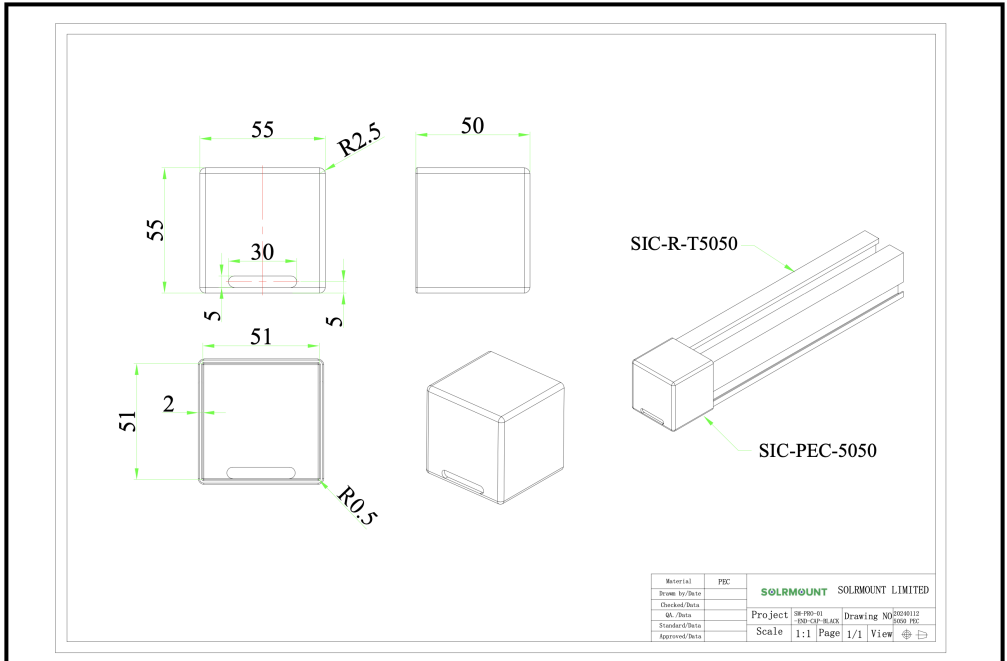


SOLRMOUNT

Create Innovate Optimise

Component SM-PRO-01-END-CAP-BLACK



Technical Specification

Roof application	Pitch roof
Dimensions	W55*H55
Weight	Theoretical weight 0.018kg
Colour	Black
Material	Plastic
Wind speed	<60m/s
Snow load	<1.4kn/m ²
Standards	GB50797/AS NZS1170.2-2011 EN1991, ASCE7-10 JIS C 8955

